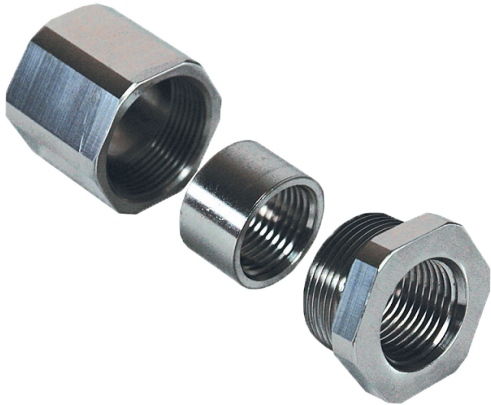
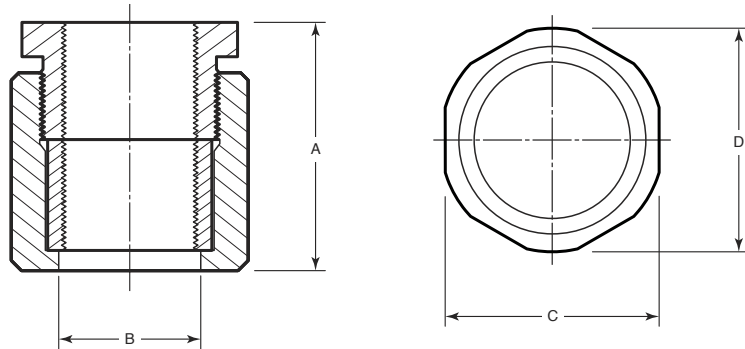
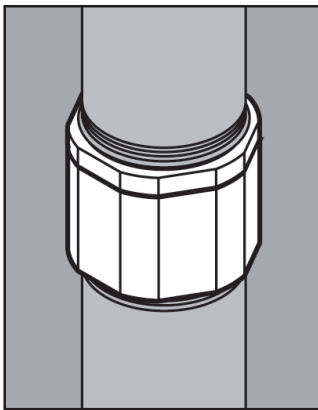


# STAINLESS STEEL THREE-PIECE COUPLINGS



## APPLICATION

- Used to join and connect threaded ends of rigid conduit where conduit cannot be turned
- Manufactured in stainless steel to help prevent corrosion
- Can be installed using ordinary hand tools and require little maintenance or repair
- Provided in a bright, polished finish that does not require touch up or painting



## PRODUCT DETAILS

### Material:

316 SS

### Standards:

ASTM A479

### Country of Origin:

100% Made in USA

\*Manufactured in USA (raw material may or may not be of U.S. origin)

Part Number	Size	Weight/ 100 (lbs.)	-----Dimensions (In.)-----			
			A	B	C	D
TPC50	½ in.	41	1.63	0.86	1.31	1.43
TPC75	¾ in.	48	1.66	1.07	1.50	1.62
TPC100	1 in.	32	2.00	1.34	1.88	1.99
TPC125	1-¼ in.	118	2.06	1.68	2.25	2.37
TPC150	1-½ in.	135	2.06	1.92	2.50	2.62
TPC200	2 in.	187	2.25	2.41	3.00	3.12
TPC250	2-½ in.	413	3.38	2.54	3.63	3.75
TPC300	3 in.	583	3.50	3.54	4.38	4.50
TPC400*	4 in.	1010	3.75	4.54	5.63	5.75



© 2017 GIBSON STAINLESS & SPECIALTY, INC. - REV 6/2017

PO BOX 847, GREENSBURG, PA 15601  
PHONE: 1-800-945-4316 • FAX: 724-838-1544

WEB: GIBSONSTAINLESS.COM